



SOCI

H1503SA Kitchen Sink

FEATURES

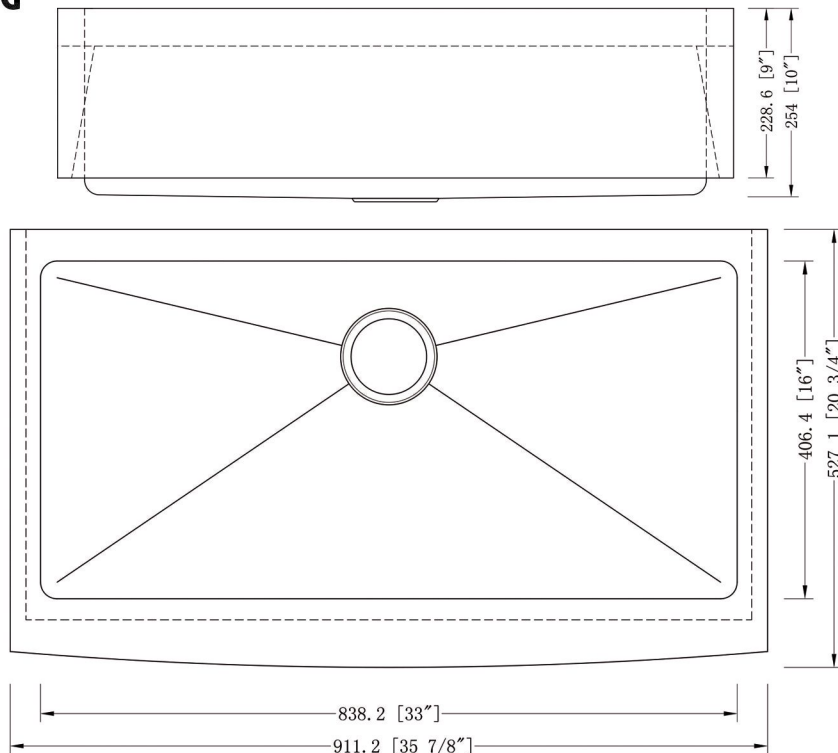
- Premium 304 series stainless steel construction
- Undercoating and sound deadening pads to absorb noise and maintain water temperature
- 18/8 chrome-nickel content
- 20 degree radius corners and apron front design
- Optional sink grids and strainer accessories available



TECHNICAL DATA

Model #	Material	Finish	Mount Options	Overflow	Drain Size	ADA Compliant	Gauge
H1503SA	Stainless Steel	Brushed	Under-mount	No	3-1/2"	No	15G

TECHNICAL DRAWING



www.sociinc.com

401 Powerhouse St. Ste 104 McKinney, TX 75071

Phone: (214) 585-4900

Email: sales@sociinc.com