



SOCI

H4501SN-ADA Kitchen Sink

FEATURES

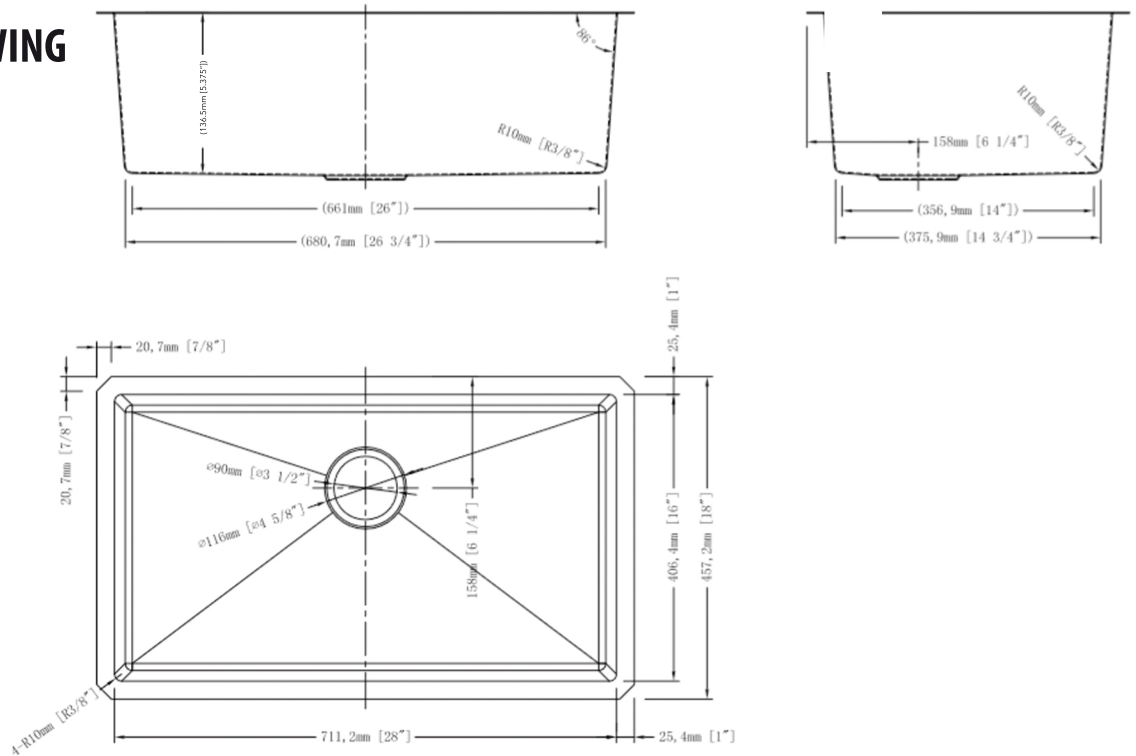
- Premium 304 series stainless steel construction
- Undercoating and sound deadening pads to absorb noise and maintain water temperature
- 18/8 chrome-nickel content
- 10 Degree radius corners
- Optional sink grids and strainer accessories available



TECHNICAL DATA

Model #	Material	Finish	Mount Options	Overflow	Drain Size	ADA Compliant	Gauge
H4501SN-ADA	Stainless Steel	Brushed	Undermount	No	3-1/2"	YES	18G

TECHNICAL DRAWING



www.soci.design

718 South Greenville Ave. Ste 190 Allen, TX 75002

Phone: (214) 585-4900

Email: sales@soci.design